



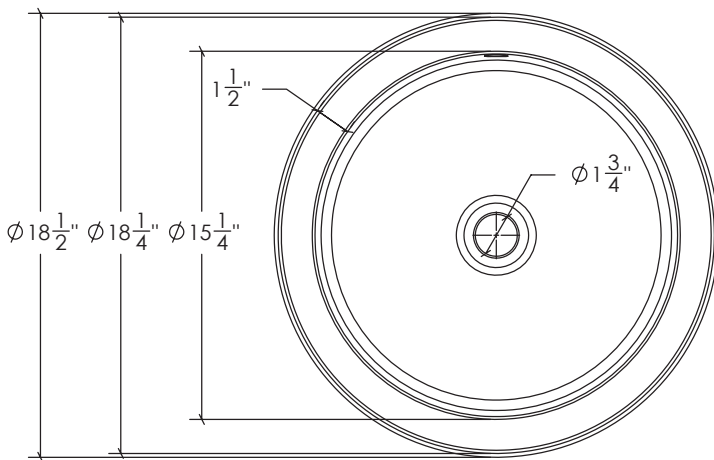
PS-008

FEATURES:

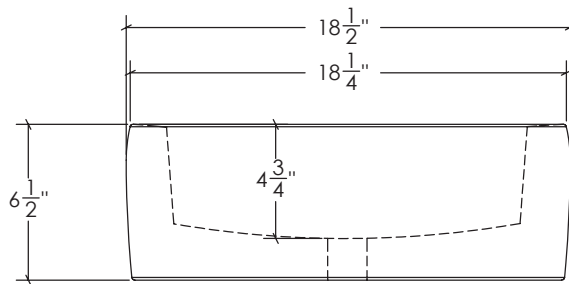
- * Sink Size: 18 1/2" Dia. x 6 1/2"
- * Material: Vitreous China
- * Counter Top Sink
- * Recommended Drain: DS-001
- * For Faucets With Overflow
- * For Use With Standard Pop Up Drain
- * Warranty: One Year Limited Warranty

CODES / STANDARDS APPLICABLE

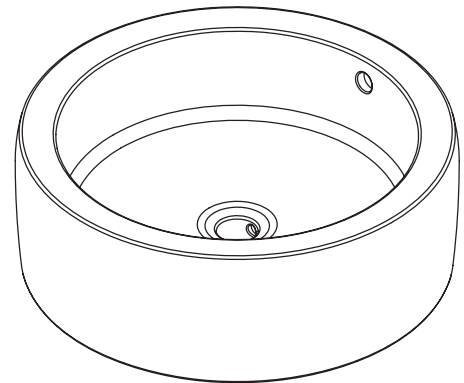
- * CSA B45
- * ASME A112.19.2



TOP VIEW



FRONT VIEW



3D VIEW

JOB INFORMATION:

Job Name _____

Date Specified _____

Contractor _____

* Specifications and drawings provided on this sheet are for illustration only. Cantrio Concepts will not be held responsible for cutouts made without the actual product or product template.